

UNIT SIZE	L/S RANGE	CFM RANGE	S.I. UNITS mm		IMPERIAL UNITS in.	
			A	L	A	L
6	38 - 212	80 - 450	152	660	6	26
7	52 - 307	110 - 650	178			
8	76 - 378	160 - 800	203			
9	94 - 496	200 - 1050	229	711	9	28
10	127 - 637	270 - 1350	254	711	10	28
12	165 - 991	350 - 2100	305	711	12	28
14	236 - 1510	500 - 3200	356	762	14	30
16	307 - 1888	650 - 4000	406	762	16	30

**NOTES:**

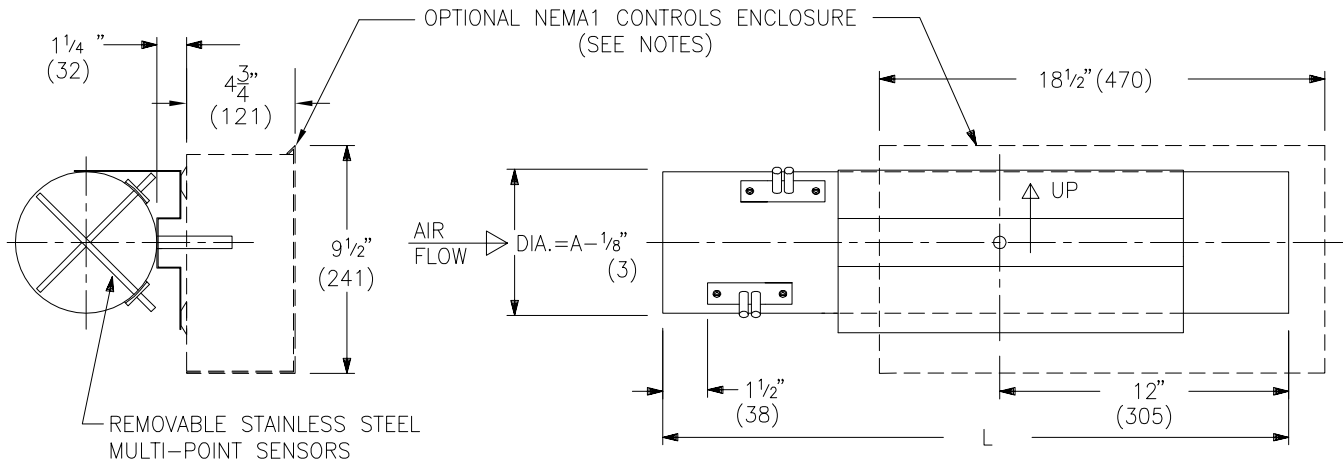
- DUCT, WELDED CONSTRUCTION , 20 GA. TYPE 316L S.S.
- DAMPER FABRICATED , 20 GA. TYPE 316 S.S.
- DAMPER SHAFT , TYPE 316 S.S.
- DAMPER SHAFT BEARINGS & DAMPER GASKET , TEFLON.
- CONTROLLER/ACTUATOR MOUNTING BRACKET , TYPE 304 S.S.
- PNEUMATIC ACTUATOR SUPPLIED & MOUNTED BY PRICE.
- ACTUATOR WILL BE SUPPLIED AS ILLUSTRATED ON RIGHT HAND SIDE UNLESS SPECIFIED OTHERWISE.
- GAUGE TAPS ARE STANDARD.
- CLEAN, DRY, 20 PSI (138 KPa) CONTROL AIR REQUIRED.
- REMOVABLE MULTI-POINT SENSOR , TYPE 316 S.S.

**OPTIONS:**

- OTHER PNEUMATIC ACTUATORS SUPPLIED & MOUNTED BY PRICE.
- PNEUMATIC ACTUATOR SUPPLIED BY CONTROL CONTRACTOR & MOUNTED BY PRICE.
- REMOVABLE CONTROLLER COVER , 20 GA. TYPE 304 S.S.
- REMOVABLE CONTROLLER COVER , 20 GA. ZINC COATED STEEL

ALL METRIC DIMENSIONS ( ) ARE SOFT CONVERTED. IMPERIAL DIMENSIONS ARE CONVERTED TO METRIC AND ROUNDED TO THE NEAREST MILLIMETER.

<b>PROJECT:</b>		<b>PRICE®</b>	
<b>ENGINEER:</b>		<i>BG</i>	<b>LPV8000</b> AIR VOLUME CONTROL VALVE LABORATORY APPLICATIONS PRESSURE INDEPENDENT
<b>CUSTOMER:</b>			
<b>SUBMITTAL DATE:</b>	<b>SPEC. SYMBOL:</b>	NOV 2001	



UNIT SIZE	L/S RANGE	CFM RANGE	S.I. UNITS mm		IMPERIAL UNITS in.	
			A	L	A	L
6	38 - 212	80 - 450	152	660	6	26
7	52 - 307	110 - 650	178		7	
8	76 - 378	160 - 800	203		8	
9	94 - 496	200 - 1050	229	711	9	28
10	127 - 637	270 - 1350	254	711	10	28
12	165 - 991	350 - 2100	305	711	12	28
14	236 - 1510	500 - 3200	356	762	14	30
16	307 - 1888	650 - 4000	406	762	16	30

**NOTES:**

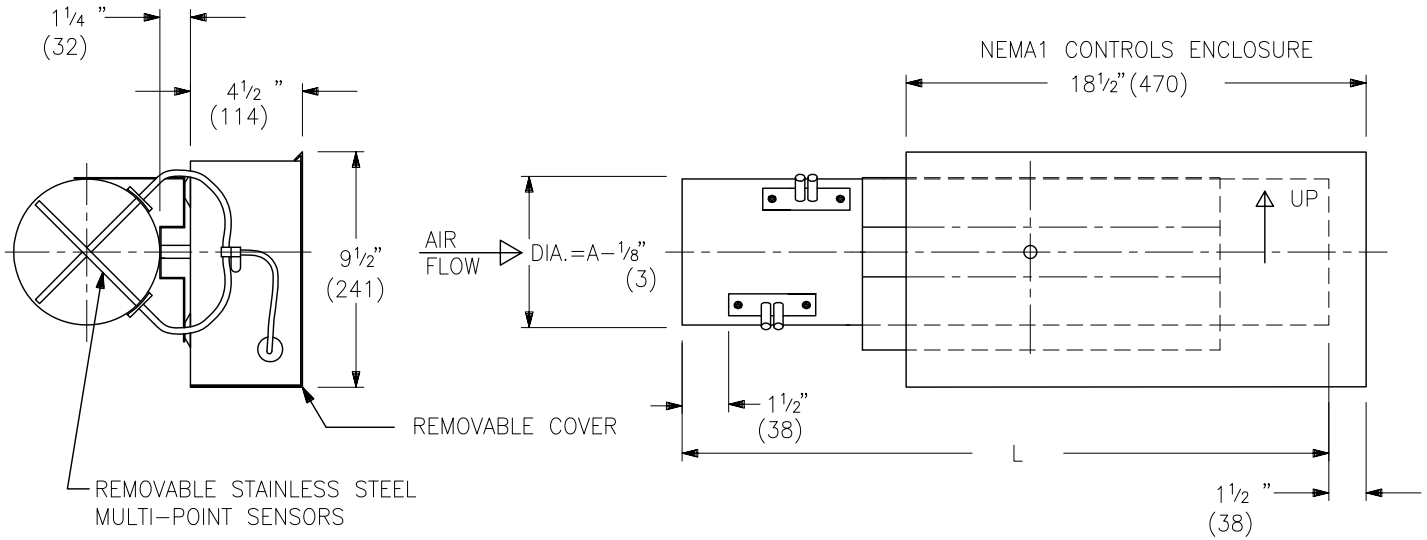
- DUCT, WELDED CONSTRUCTION , 20 GA. TYPE 316L S.S.
- DAMPER FABRICATED , 20 GA. TYPE 316 S.S.
- DAMPER SHAFT , TYPE 316 S.S.
- CONTROLS ENCLOSURE MOUNTING BRACKET , TYPE 304 S.S.
- REMOVABLE MULTI-POINT SENSOR , TYPE 316 S.S.

**OPTIONS:**

- CONTROLS ENCLOSURE , 22 GA. ZINC COATED STEEL SUPPLIED BY PRICE.
- CONTROLS ENCLOSURE , 20 GA. TYPE 304 S.S. SUPPLIED BY PRICE.
- DISCONNECT SWITCH.
- BRASS AIRFLOW SENSOR GAUGE TAPS.

ALL METRIC DIMENSIONS ( ) ARE SOFT CONVERTED. IMPERIAL DIMENSIONS ARE CONVERTED TO METRIC AND ROUNDED TO THE NEAREST MILLIMETER.

<b>PROJECT:</b>		<b>PRICE</b> <sup>®</sup>	
<b>ENGINEER:</b>		<b>BG</b>	<b>LDV5000</b> AIR VOLUME CONTROL VALVE LABORATORY APPLICATIONS DIGITAL CONTROL BY OTHERS
<b>CUSTOMER:</b>		222512	
<b>SUBMITTAL DATE:</b>	<b>SPEC. SYMBOL:</b>	2013/06/03	



UNIT SIZE	L/S RANGE	CFM RANGE	S.I. UNITS mm		IMPERIAL UNITS in.	
			A	L	A	L
6	38 - 212	80 - 450	152	660	6	26
7	52 - 307	110 - 650	178			
8	76 - 378	160 - 800	203			
9	94 - 496	200 - 1050	229	711	9	28
10	127 - 637	270 - 1350	254	711	10	28
12	165 - 991	350 - 2100	305	711	12	28
14	236 - 1510	500 - 3200	356	762	14	30
16	307 - 1888	650 - 4000	406	762	16	30

**NOTES:**

- DUCT, WELDED CONSTRUCTION , 20 GA. TYPE 316L S.S.
- DAMPER FABRICATED , 20 GA. TYPE 316 S.S.
- DAMPER SHAFT , TYPE 316 S.S.
- DAMPER SHAFT BEARINGS & DAMPER GASKET , TEFLON.
- CONTROLS ENCLOSURE MOUNTING BRACKET , TYPE 304 S.S.
- CONTROLS ENCLOSURE , 22 GA. ZINC COATED STEEL.
- UNIT IS PRESSURE INDEPENDENT.
- CONTROLS ASSEMBLY WILL BE SUPPLIED AS ILLUSTRATED ON RIGHT HAND SIDE UNLESS SPECIFIED OTHERWISE.
- PRICE CONTROLS FACTORY MOUNTED.
- PRICE THERMOSTAT FIELD MOUNTED.
- REMOVABLE MULTI-POINT SENSOR , TYPE 316 S.S.
- LINE VOLTAGE MUST NOT EXCEED 277 VAC.

**OPTIONS:**

- NEMA1 CONTROLS ENCLOSURE , 20 GA. TYPE 304 S.S.
- DISCONNECT SWITCH

ALL METRIC DIMENSIONS ( ) ARE SOFT CONVERTED. IMPERIAL DIMENSIONS ARE CONVERTED TO METRIC AND ROUNDED TO THE NEAREST MILLIMETER.

<b>PROJECT:</b>		<b>PRICE®</b>	
<b>ENGINEER:</b>		<b>BG</b>	<b>LDV8000</b> AIR VOLUME CONTROL VALVE LABORATORY APPLICATIONS PRICE CONTROLS
<b>CUSTOMER:</b>		222354	
<b>SUBMITTAL DATE:</b>	<b>SPEC. SYMBOL:</b>	2011/04/15	